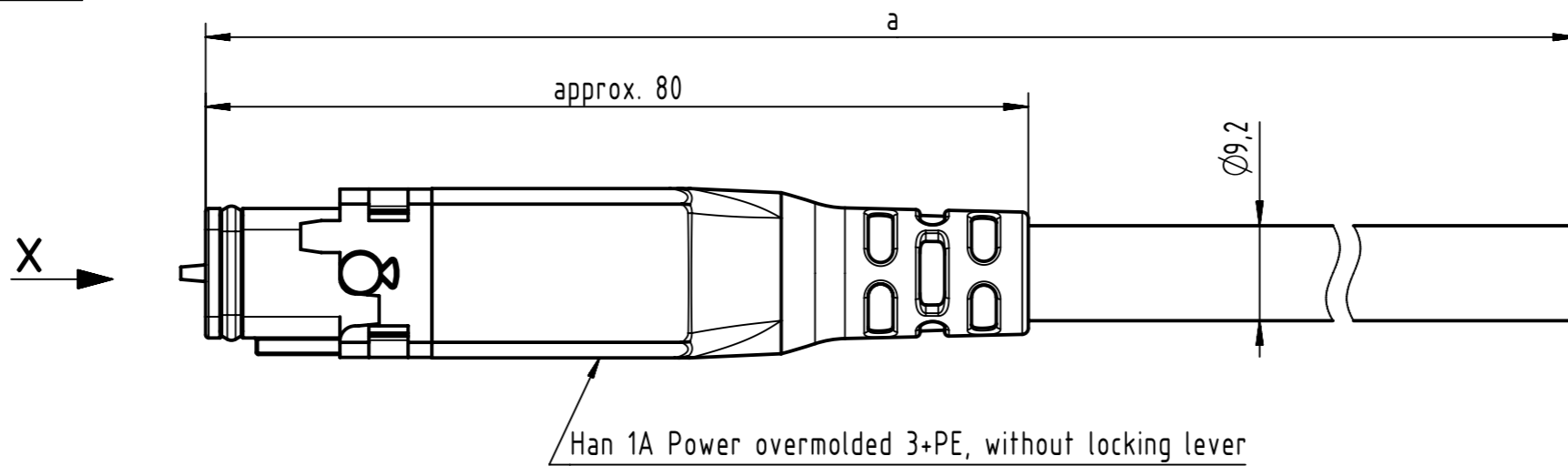
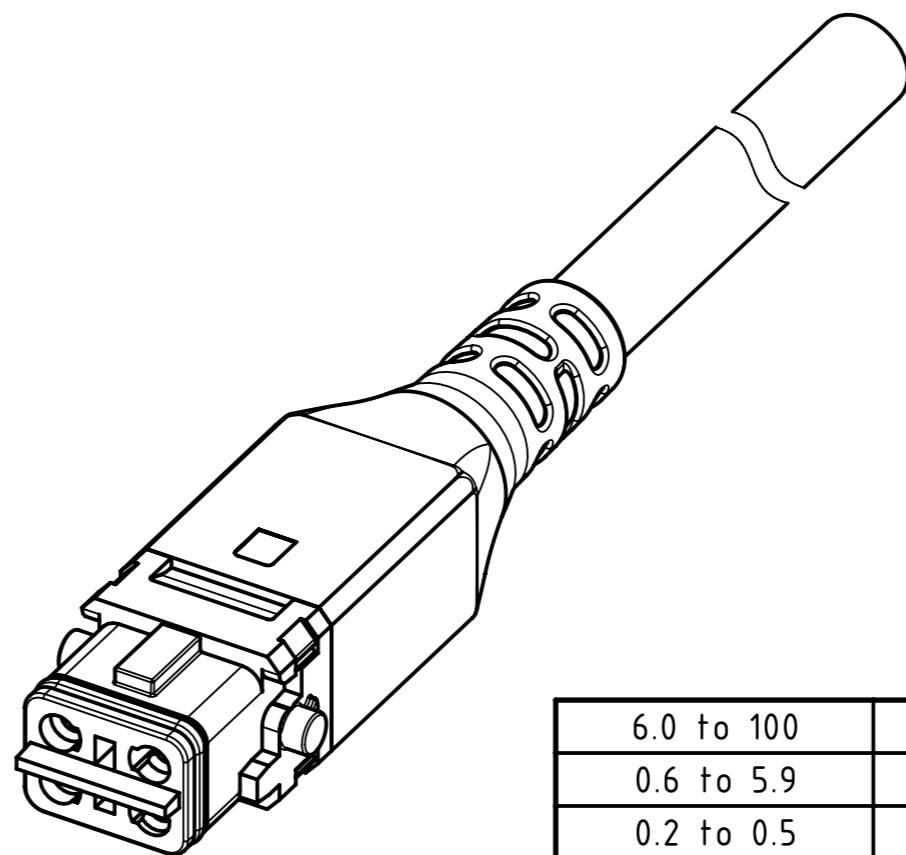


Connector Location A

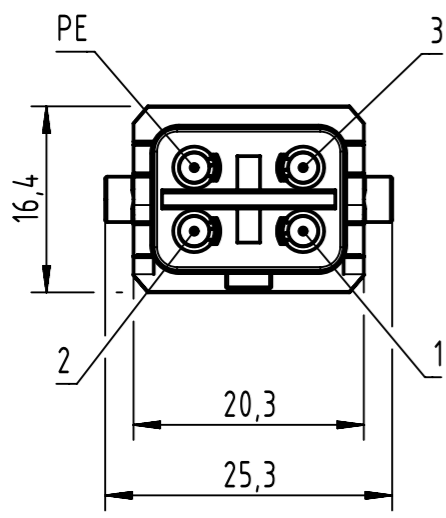
Connector Location B



Han 1A Power overmolded 3+PE, without locking lever



X female



Loading Plan

1	wire 1
2	wire 2
3	wire 3
PE	green/yellow

NOTE:
 * Silver plated contacts
 * Protection level: IP66/67
 Temperature range:
 - Fixed installation: -30°C ... +80°C
 - Dynamic installation: -15°C ... +80°C

length in "1m" step	100	XXX=000
	99	XXX=990
	.	.
	12	XXX=120
length in "0.1m" step	11	XXX=110
	10	XXX=100
	9.9	XXX=099
	9.8	XXX=098
	.	.
	0.5	XXX=005
	0.4	XXX=004
	0.3	XXX=003
0.2	XXX=002	
Step	a [m]	XXX

6.0 to 100	±1%
0.6 to 5.9	+0.04
0.2 to 0.5	+0.02
a [m]	Tolerance

JZ-500 4G2.5mm ² , PVC, grey	33400100202XXX
Type of cable	Part no.

All rights reserved Department HCS - RO HARTING Customised Solutions D-32339 Espelkamp	All Dimensions in mm Tech. Character. Free size tol. According to production drawing	Created by BANCIUD Banciu Inspected by 402676 Gross Standardisation MUNTEANV Muntean Date 2022-07-22 State Final Release	Title Han 1A OM 3+PE -lever f/- PVC Type TB Number 33400100202XXX	Doc-Key / ECM-Nr. 100999370/UGD/000/B 500000221229 Rev. B Page 1/1
	All Dimensions in mm Tech. Character. Free size tol. According to production drawing			